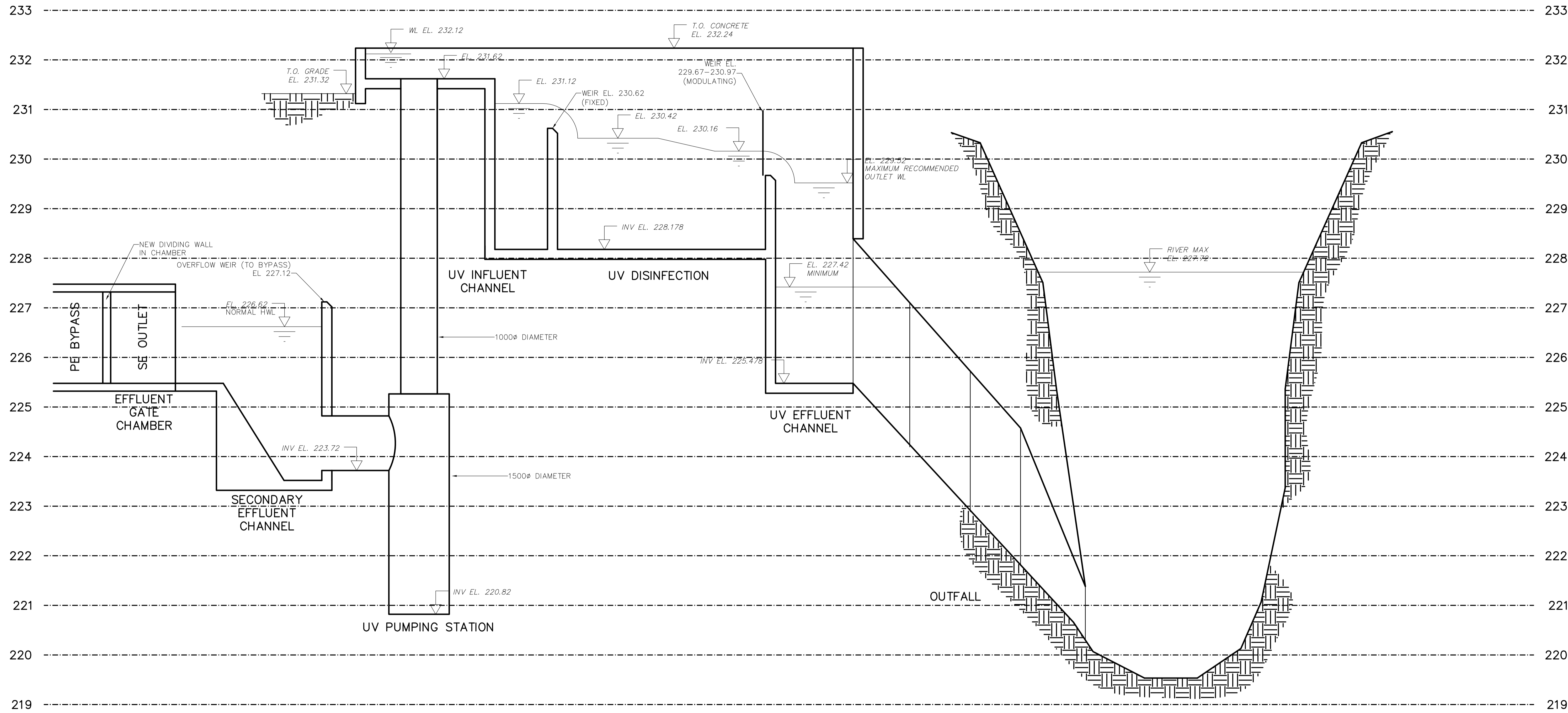


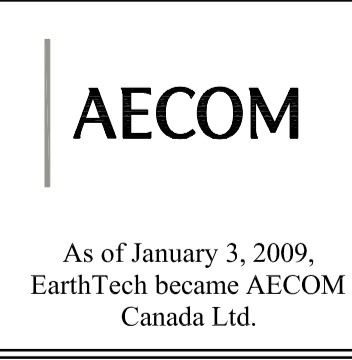
# Appendix **D**

## As-built Drawings



**NOTES:**

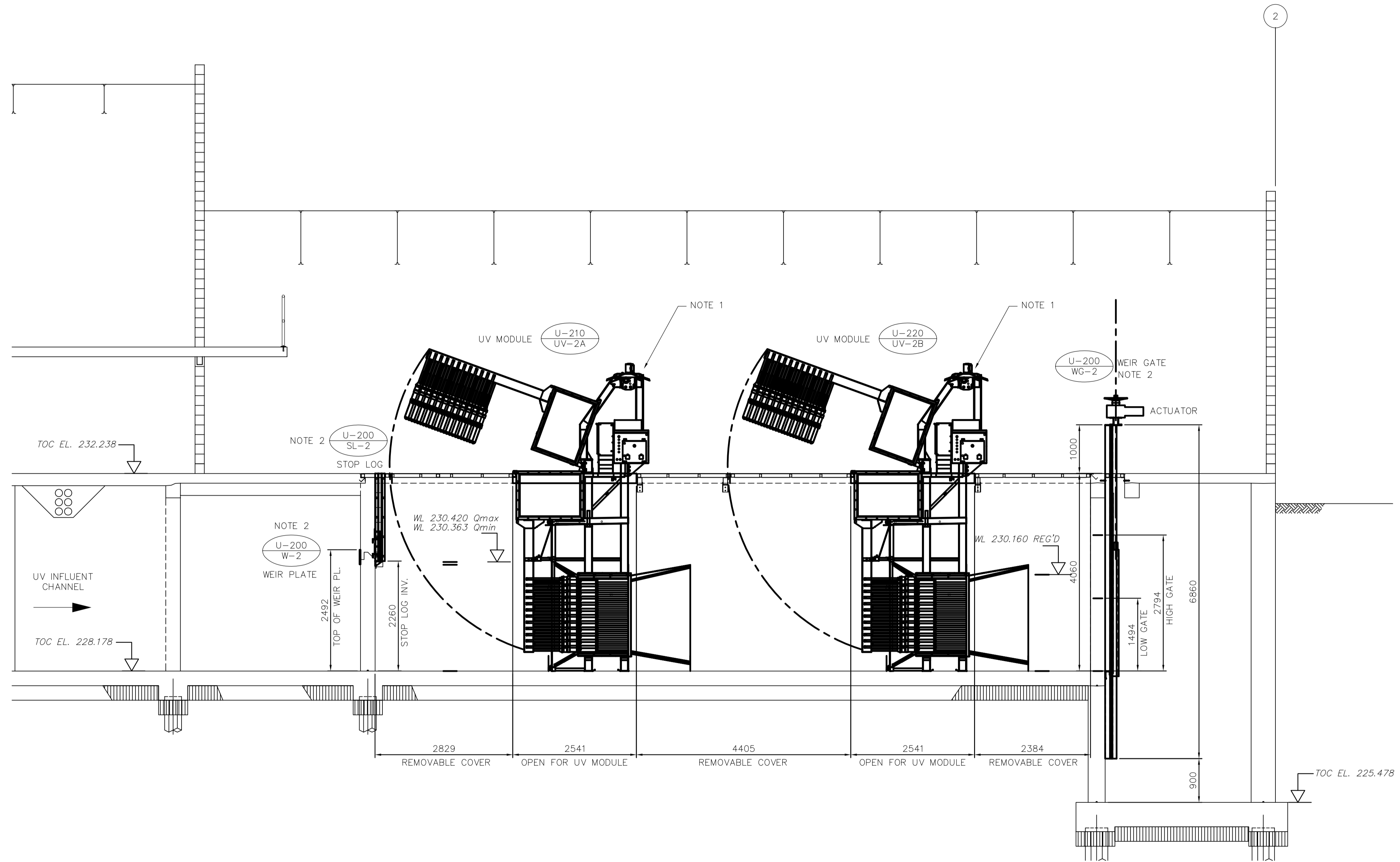
1. MINIMUM WL AT OUTFALL INLET IS LEVEL IMPOSED BY OUTFALL GEOMETRY TO CONVEY 380 ML/d.
2. MAXIMUM RIVER LEVEL SHOWN IS MAXIMUM RIVER LEVEL AT WHICH DISINFECTION CAN FUNCTION.



**AECOM AS - CONSTRUCTED**  
 SIG..... DATE.....



B.M. ELEV.	<b>EARTH TECH</b>		ENGINEER'S SEAL	<b>THE CITY OF WINNIPEG</b>	
	Earth Tech (Canada) Inc. Winnipeg, Manitoba 204.477.5381			Winnipeg <b>WATER AND WASTE DEPARTMENT</b>	
	DESIGNED BY: CGL	CHECKED BY: DT	ORIGINAL SIGNED BY: D.J. TANIGUCHI	<b>NEWPCC - SECONDARY EFFLUENT UV DISINFECTION FACILITY</b>	
	DRAWN BY: KJW	APPROVED BY: DT			
	HOR. SCALE: VERTICAL SCALE:		RELEASED FOR CONSTRUCTION BY: T. KJARTANSON	CONSULTANT DRAWING NO. 66303D-CP1.02	CITY FILE NUMBER
	NO. REVISIONS	DATE BY	DATE 2004/11/03	DATE 2005-02-18	SHEET OF
					CITY DRAWING NUMBER 1-0101U-P0002-001-02



**3** SECTION  
P2.02 SCALE 1:50

**NOTES**

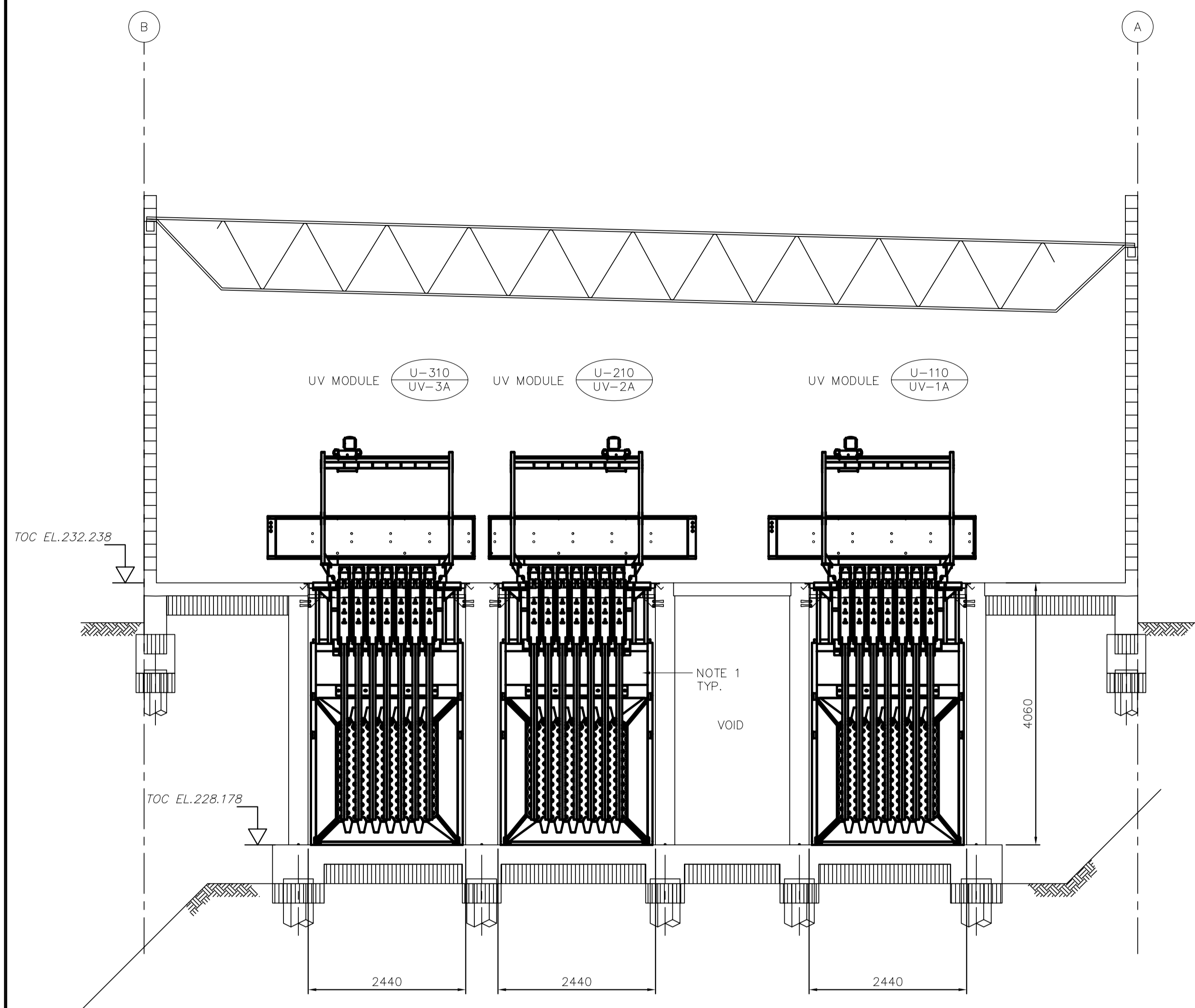
1. UV MODULES PROVIDED BY CITY, INSTALLED BY CONTRACTOR. REFER TO MANUFACTURER'S INSTALLATION INSTRUCTIONS.
2. USE HILTI HY150 ADHESIVE TYPE SS ANCHORS TO FIX EQUIPMENT TO CONCRETE IN SUBMERGED LOCATIONS.

**AECOM**  
As of January 3, 2009,  
EarthTech became AECOM  
Canada Ltd.

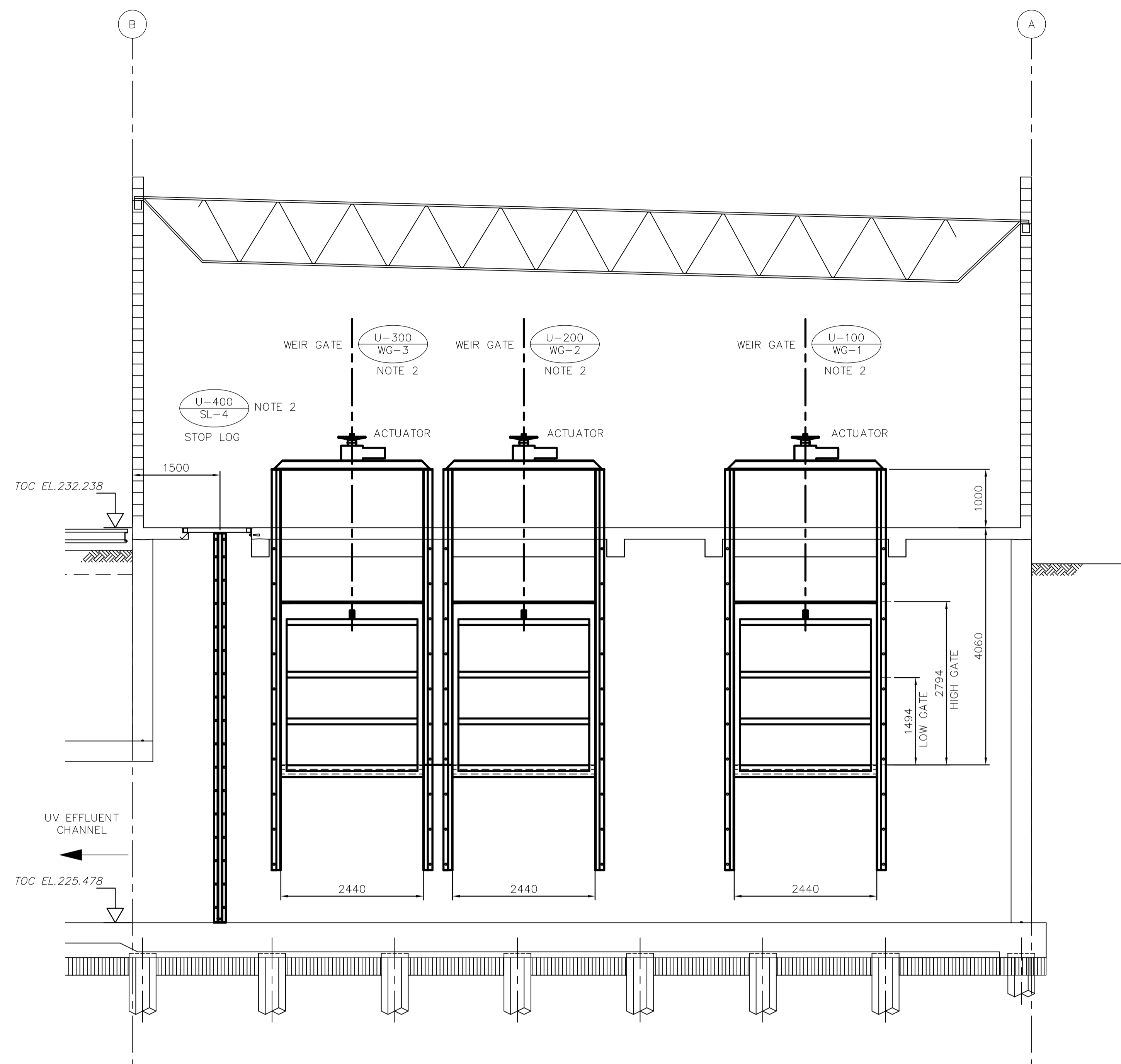
**AECOM AS-CONSTRUCTED**  
SIG..... DATE.....

**APEGM**  
Certificate of Authorization  
AECOM Canada Ltd.  
Original dated on:  
No. 4671 Date: 2005/02/18

B.M. ELEV.	<b>EARTH TECH</b> Earth Tech (Canada) Inc. Winnipeg, Manitoba 204.477.5381		ENGINEER'S SEAL		<b>THE CITY OF WINNIPEG</b> Winnipeg <b>WATER AND WASTE DEPARTMENT</b>
			ORIGINAL SIGNED BY D.J. TANIGUCHI FEB. 18/05		
DESIGNED BY CGL	CHECKED BY HSH	DRAWN BY KJW		APPROVED BY DT	NEWPCC - SECONDARY EFFLUENT UV DISINFECTION FACILITY CITY FILE NUMBER SHEET OF
02 AS-CONSTRUCTED DRAWING 08/10/16 RJH	01 ISSUED FOR CONSTRUCTION 05/06/08 GLG	HOR. SCALE: VERTICAL SCALE:		RELEASED FOR CONSTRUCTION BY: T. KJARTANSON	
00 ISSUED FOR TENDER 05/02/18 JEH	NO. REVISIONS	DATE	BY	DATE	CONSULTANT DRAWING NO. 66303D-CP2.04 PROCESS UV CHANNEL DETAILS CITY DRAWING NUMBER 1-0101U-P0025-001-02
		2004/11/03		2005-02-18	



**B** SECTION  
P2.02 SCALE 1:50



**C** SECTION  
P2.02 SCALE 1:50

**NOTES**

1. UV MODULES PROVIDED BY CITY, INSTALLED BY CONTRACTOR. REFER TO MANUFACTURER'S INSTALLATION INSTRUCTIONS.
2. USE HILTI HY150 ADHESIVE TYPE SS ANCHORS TO FIX EQUIPMENT TO CONCRETE IN SUBMERGED LOCATIONS.

**AECOM**

As of January 3, 2009,  
EarthTech became AECOM  
Canada Ltd.

**AECOM AS-CONSTRUCTED**

SIG..... DATE.....

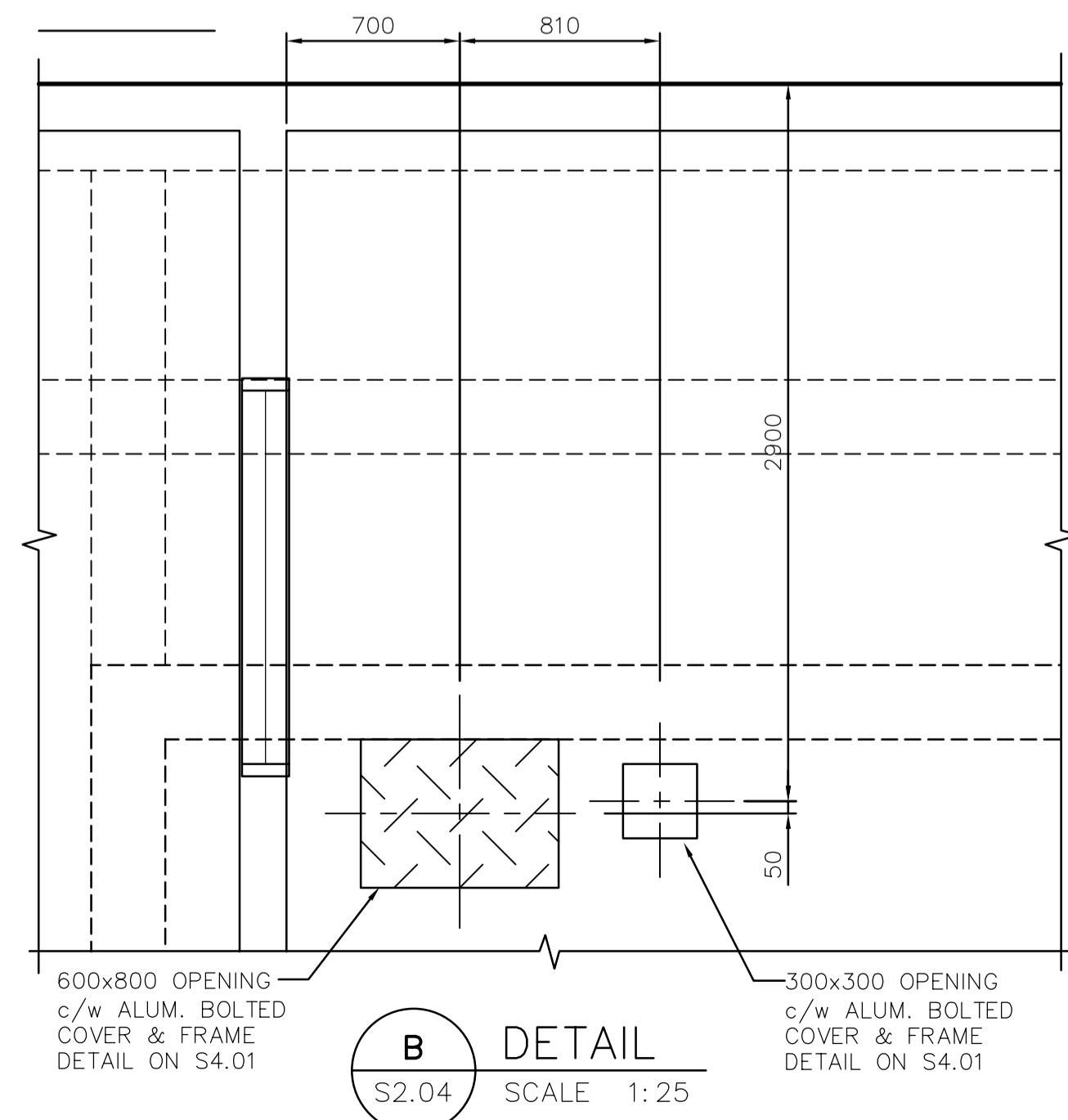
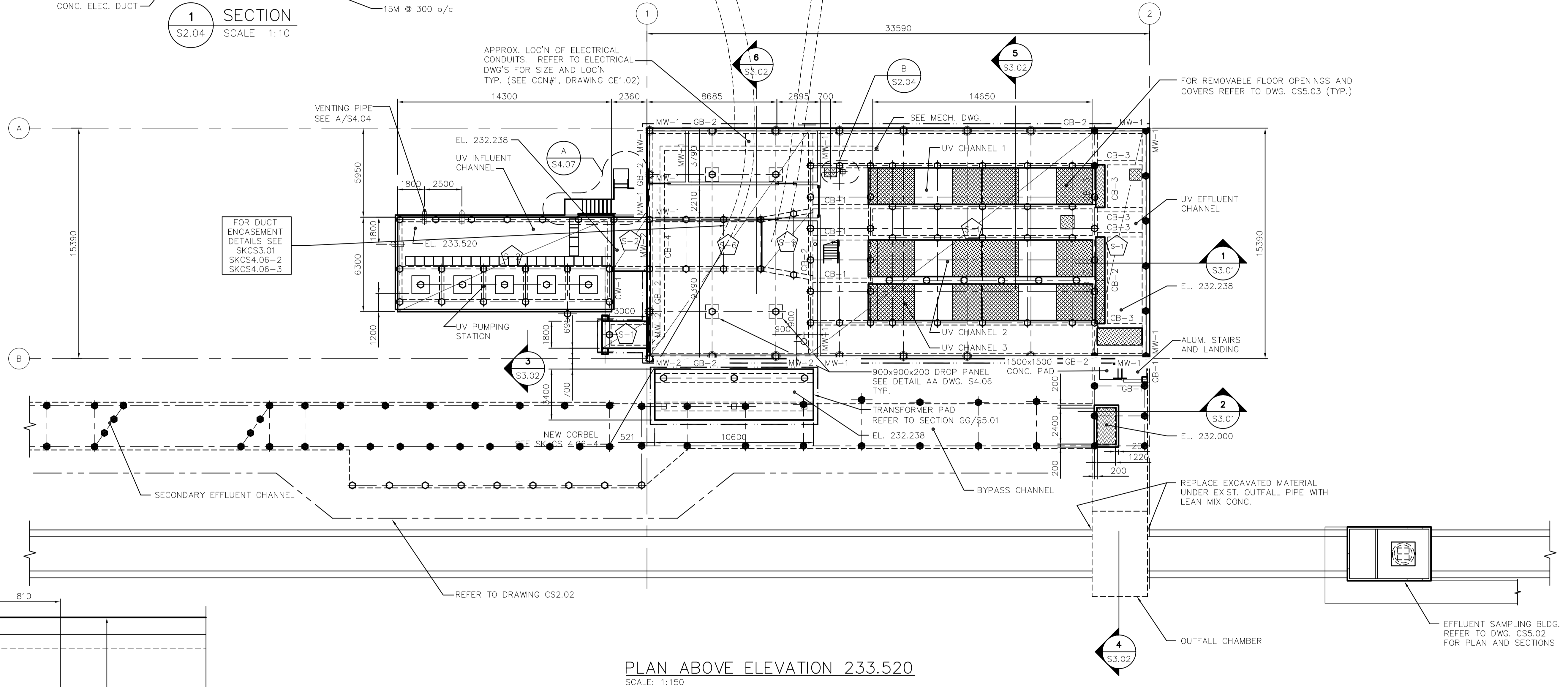
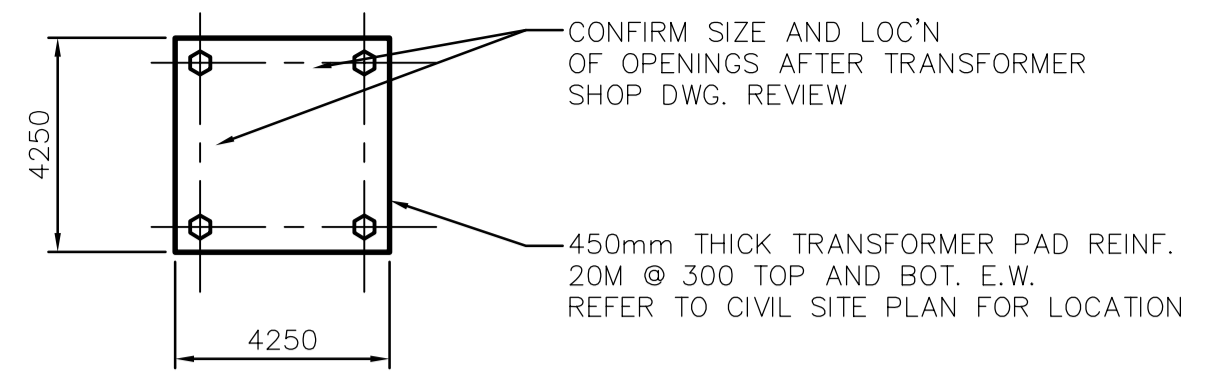
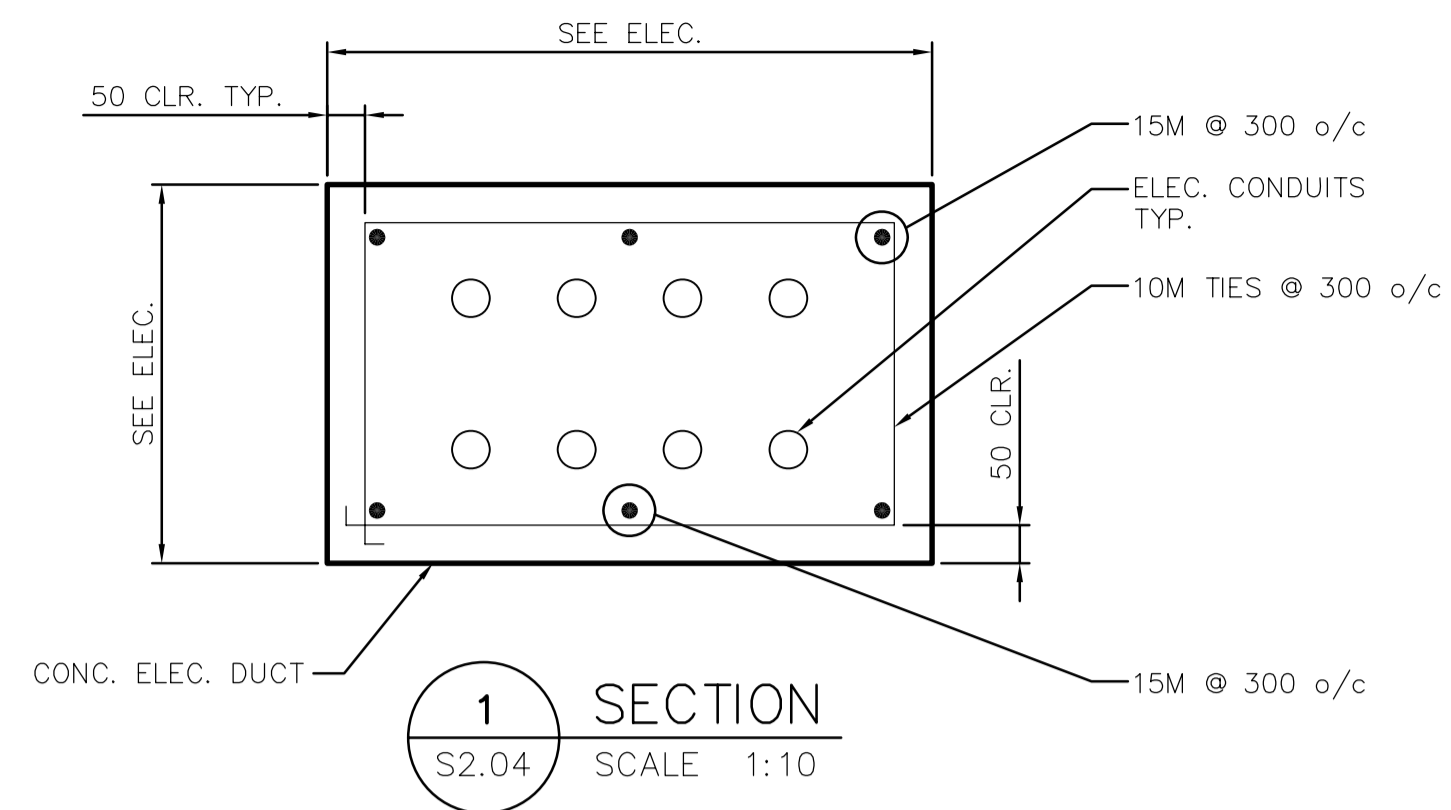
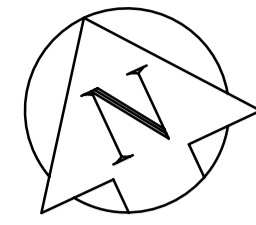


Certificate of Authorization

AECOM Canada Ltd.  
Original dated on:  
No. 4671 Date: 2005/02/18

B.M. ELEV.	<b>EARTH TECH</b>		ENGINEER'S SEAL  ORIGINAL SIGNED BY D.J. TANIGUCHI FEB. 18/05	<b>THE CITY OF WINNIPEG</b> Winnipeg <b>WATER AND WASTE DEPARTMENT</b>	
	Earth Tech (Canada) Inc. Winnipeg, Manitoba 204.477.5381			<b>NEWPCC - SECONDARY EFFLUENT UV DISINFECTION FACILITY</b>	
	DESIGNED BY CGL	CHECKED BY HSH	CONSULTANT DRAWING NO. 66303D-CP2.05	CITY FILE NUMBER	
	DRAWN BY KJW	APPROVED BY DT		SHEET OF	
02 AS-CONSTRUCTED DRAWING 08/10/16 RJH	HOR. SCALE:		RELEASED FOR CONSTRUCTION BY: T. KJARTANSON	CITY DRAWING NUMBER	
01 ISSUED FOR CONSTRUCTION 05/06/08 GLG	VERTICAL SCALE:			1-0101U-P0026-001-02	
00 ISSUED FOR TENDER 05/02/18 JEH	DATE 2004/11/03	DATE 2005-02-18	PROCESS UV CHANNEL DETAILS		
NO. REVISIONS	DATE	BY			





**AECOM**  
As of January 3, 2009,  
EarthTech became AECOM  
Canada Ltd.

**AECOM AS-CONSTRUCTED**  
SIG..... DATE.....

AS BUILT PER  
**GATEWAY**  
CONSTRUCTION & ENGINEERING LTD.  
MARCH 14/07

**APEGM**  
Certificate of Authorization  
AECOM Canada Ltd.  
Original dated on:  
No. 4671 Date: 2005/02/18

**PLAN ABOVE ELEVATION 233.520**  
SCALE: 1:150  
--- EXTENT OF VOID SUPPORT DETAIL

- NOTES:**
- FOR GENERAL NOTES AND SCHEDULES REFER TO DRAWING S1.01.
  - FOR STANDARD DETAILS REFER TO DRAWINGS S4.01, S4.02, AND S4.03.

B.M. ELEV.	<b>EARTH TECH</b>			ENGINEER'S SEAL	<b>THE CITY OF WINNIPEG</b> Winnipeg <b>WATER AND WASTE DEPARTMENT</b>
	Earth Tech (Canada) Inc. Winnipeg, Manitoba 204.477.5381				
DESIGNED BY	RE, MK	CHECKED BY	GGP	ORIGINAL SIGNED BY R.B. ERIC FEB. 18/05	CITY FILE NUMBER SHEET 5 OF 19
DRAWN BY	C.T.	APPROVED BY	DT		
HOR. SCALE: AS NOTED		RELEASED FOR CONSTRUCTION BY:		CONSULTANT DRAWING NO. 66303D-S2.04	CITY DRAWING NUMBER 1-0101U-S0005-001-03
VERTICAL SCALE: AS NOTED		T. KJARTANSON			
NO. REVISIONS	DATE	BY	DATE	STRUCTURAL PLAN ABOVE ELEVATION 233.520	
3	AS BUILT	07/03/14			
2	ISSUED FOR CONSTRUCTION	05/06/08	LAE		
1	ISSUED FOR ADDENDUM 1	05/03/04	JEH		
0	ISSUED FOR TENDER	05/02/18	JEH		



